

CENTABUILD

BUILDING PRODUCTS



H105, H106 DATASHEET – Mar 14

HEAD OFFICE: AUCKLAND (09) 579 0367
CHRISTCHURCH (03) 379 9364

www.centabuild.co.nz sales@centabuild.co.nz

Product specifications can change. Contact us to ensure you have our latest datasheet

H105 & H106 CEILING HATCHES

Premium Quality Large Size Range

Security Lock Sound Dampening

H106

For installations where larger hatches or noise dampening is required, and/or where security is important.

The hatches can be installed during construction or after the ceiling is in place. H106 hatches are designed to fit flush with the ceiling leaving only a narrow opening joint around the edges with no visible hinges. The hatch is secured with a lock which can be individually or identically keyed. Alternatively a universal lock option is available on most sizes.

The hatch panel is made from board with an STC of 29. Sound dampening seals are provided around the joint of the panel and the frame. An integral plasterers angle is standard with the complete range of H106.

BENEFITS

- Extra large sizes available.
- Security keyed or universal lock.
- Noise dampening
- Flush fitting
- Concealed hinges
- Plasterers angle integral.
- Safety chains on hinges and hatch panel
- Normally available ex-stock
- Variety of sizes manufactured. See table below.



H105

H105 is identical to H106, except that the integral plastering angle on H106 is replaced by an integral flange on H105 and a thicker board with an STC of 30 is used for manufacturing the hatch panel.

See Table below for sizes of H105 available.

FIGURE 1: H105, H106 Product Codes

Product Code H105 Integral Flange	Product Code H106 Plasterer's Angle	Key Type	Width (mm)	Length (mm)	Height (mm)	Clear Opening Size (mm)	Ceiling Hole Size (mm)
H105K-450x450	n/a	Security	450	450	110	415 x 415	460 x 460
H105U-450x450	n/a	Universal	450	450	110	415 x 415	460 x 460
H105U-530x530	H106U-530x530	Universal	530	530	110	495 x 495	540 x 540
H105K-560x560	H106K-560x560	Security	560	560	110	525 x 525	570 x 570
H105U-560x560	H106U-560x560	Universal	560	560	110	525 x 525	570 x 570
H105U-600x600	H106U-600x600	Universal	600	600	110	565 x 565	610 x 610
H105K-600x600	H106K-600x600	Security	600	600	110	565 x 565	610 x 610
N/A	H106K-1000x750(1)	Security	1000	750	110	965 x 715	1010 x 760
Note (1)							

H106K-1000x750 has a espagnolette lock fixing in the centre and at both ends in lieu of the single lock on other models.

H105 & H106 CEILING HATCHES

FIGURE 2: Single Leaf Hatch Cross-section (H105 & H106)

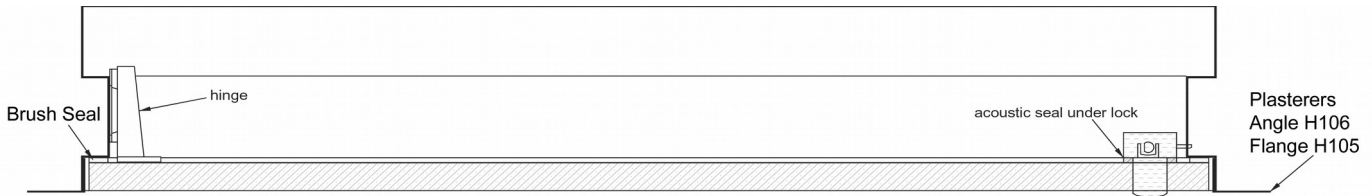


FIGURE 3: Double Leaf Hatch Cross-section (H106)

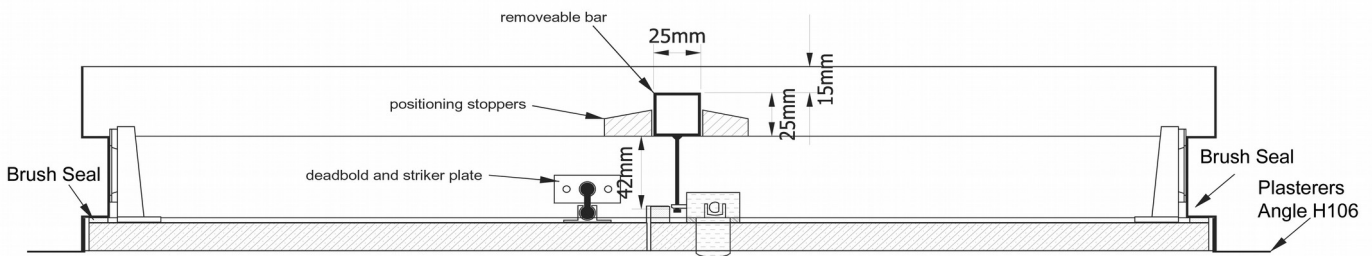
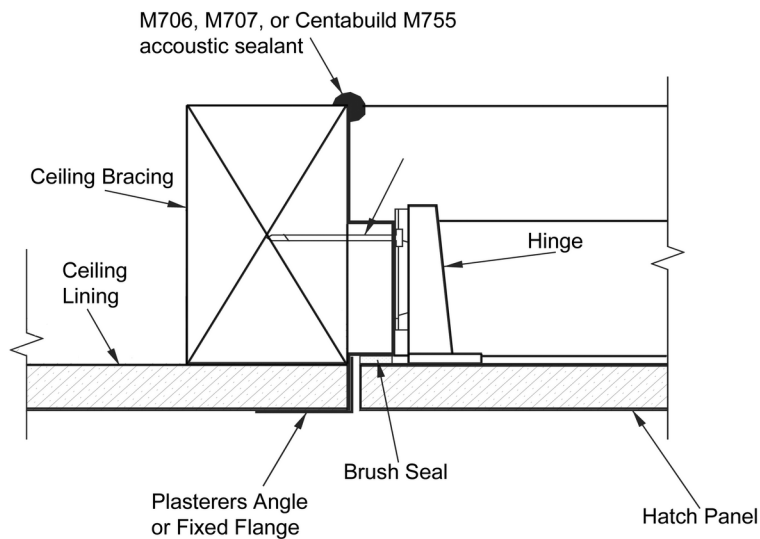


FIGURE 4: Typical Ceiling Installation



NOTE: The technical information and suggestions for use and application presented herein represent the best information available to us and are believed to be reliable. If used beyond the situations detailed on this datasheet we advise confirming their suitability before installation. All dimensions are nominal.

We reserve the right to make changes or to withdraw designs and products without notice.